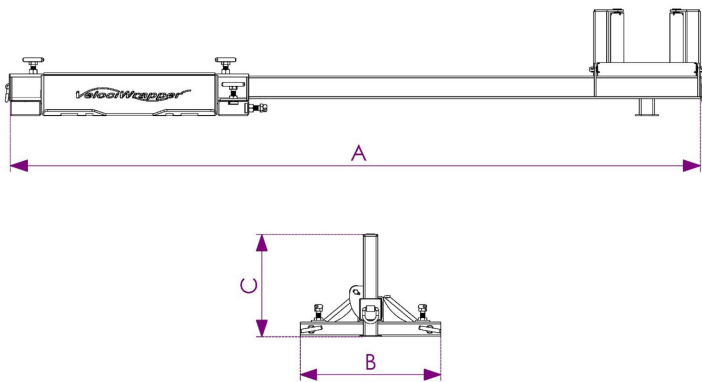


Fairlead

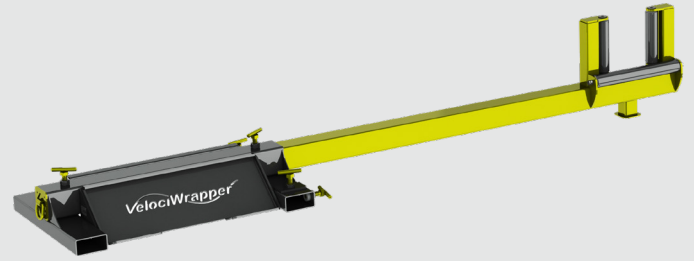
General Specifications:

Fork Size:	Up to 6-3/4" wide Up to 2-3/4" thick
Fork Width:	Minimum 46-3/4" Inside to inside
Bundle Size:	12" X 12" Maximum
Machine center to trench center:	11'-3" Maximum
Weight Rating:	1,500 lbs (680 kgs) Maximum
Side Roller Force:	1,250 lbs (567 kgs) Maximum

Physical Dimensions:



(A) - Length:	15'-0" fully extended
(B) - Width:	3'-2.5"
(C) - Height:	2'-4"
Weight:	970 lbs (440 kgs)



Machine Features:

- Boom adjustable in length to reduce side-loading when needed
- Designed with skid-steer universal quick attach and fork pockets for forklift or telehandler operation
- Rugged and tough, yet efficient weight-conscious design
- Yellow and Graphite powder coat finish
- D-Rings on both ends of the boom for lifting and for counterweight, if needed
- Hammer-tight 1-1/4" ACME thread "T" bolts on boom adjustment and on inside fork tube to eliminate sag and movement
- Smooth corners wherever cable may come into contact when loading and unloading cable